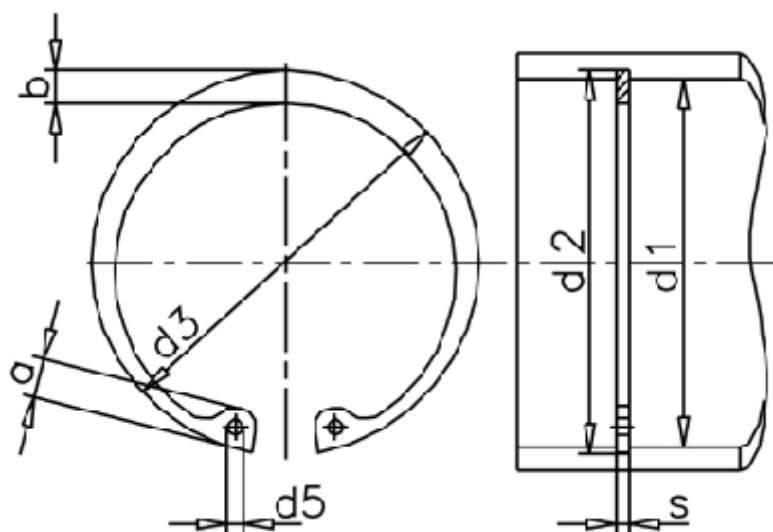


Article number: 0110095

Description: Retaining ring JS 95x4
Springsteel

Measures



a max	= 10.3	Description	= JS 95	t	= 1.75
AN mm ²	= 532	FN kN	= 88.6	tol	= 0.35
B	= 1.78	FRg kN	= 56.0	tol	= +1,30 -0,54
b	= 8.1	FR kN	= 347.0	tol	= -0.10
d1	= 95	g	= 3.0	Tong	= ZGJ-4
d2	= 98.5	m min	= 4.15	Weight kg/1000	= 46.7
d3	= 100.5	Nominal drive	= 5.3		
d5 min	= 3.5	s	= 4.00		